

CHAMPION

GLOBAL POWER EQUIPMENT

TM-MC

OWNER'S MANUAL & OPERATING INSTRUCTIONS

Electric Start

DUAL FUEL INVERTER GENERATOR

U.S. Patent No. D710,802



This manual covers the following models:

73001I-DF (EU)

SAVE THESE INSTRUCTIONS

Important safety instructions
are included in this manual.

Introduction

Congratulations on purchasing your inverter generator. Please use and maintain correctly.

Portable Power Generator

This unit is a petrol engine driven AC generator used for supply electrical power.

Accessories

CPE manufactures and supplies a series of accessories. See local dealer for more information.


This Booklet

We reserve the right to change, alter or improve the product and this manual without prior notice.

Record the model and serial numbers as well as date and place of purchase for future reference. Have this information available when ordering parts and when making technical or warranty inquiries.

Champion Power Equipment Support	
Model Number	
Serial Number	
Date of Purchase	
Purchase Location	


Please familiarize yourself with the following symbols. The safety symbol and key words are safety warnings. Follow all safety messages to avoid accidents or injury.

 **DANGER**


DANGER indicates an imminently hazardous situation which, if not avoided, **will** result in death or serious injury.

CAUTION


CAUTION used without the safety alert symbol indicates a potentially hazardous situation which, if not avoided, **may** result in property damage.

 **WARNING**

WARNING indicates a potentially hazardous situation which, if not avoided, **could** result in death or serious injury.

 **NOTE**

If you have questions regarding your generator, we can help. Please contact your local dealer.

 **CAUTION**

CAUTION indicates a potentially hazardous situation which, if not avoided, **may** result in minor or moderate injury.

⚠ WARNING

Read this manual thoroughly before operating your generator. Failure to follow instructions could result in serious injury or death.

⚠ WARNING

The engine exhaust from this product contains chemicals that are known to cause serious health problems and even death.

⚠ DANGER

Generator exhaust contains carbon monoxide, a colourless, odourless, poison gas. Breathing carbon monoxide will cause nausea, dizziness, fainting or death. If you start to feel dizzy or weak, get to fresh air immediately.

Operate generator outdoors only in a well ventilated area.

DO NOT operate the generator inside any building, including garages, basements, crawlspaces and sheds, enclosure or compartment, including the generator compartment of a recreational vehicle. DO NOT allow exhaust fumes to enter a confined area through windows, doors, vents or other openings.

DANGER CARBON MONOXIDE: using a generator indoors **CAN KILL YOU IN MINUTES.**

⚠ DANGER

Generator produces powerful voltage.

DO NOT touch bare wires or receptacles.
DO NOT use electrical cords that are worn, damaged or frayed.

DO NOT operate generator in wet weather.
DO NOT allow children or unqualified persons to operate or service the generator

Use a ground fault circuit interrupter (GFCI) in damp areas and areas containing conductive material such as metal decking.

Use approved transfer equipment to isolate generator from your electric utility and notify your utility company before connecting your generator to your power system.

⚠ WARNING

Sparks can result in fire or electrical shock.

When servicing the generator:

Disconnect the spark plug wire and place it where it cannot contact the plug.

DO NOT check for spark with the plug removed.

Use only approved spark plug testers.

⚠ WARNING

Running engines produce heat. Severe burns can occur on contact.

Combustible material can catch fire on contact.

DO NOT touch hot surfaces.

Avoid contact with hot exhaust gases.

Allow equipment to cool before touching.

Maintain at least 3 ft. (91.4 cm) of clearance on all sides to ensure adequate cooling.

Maintain at least 5 ft. (1.5 m) of clearance from combustible materials.

⚠ WARNING

Medical and Life Support Uses.

In case of emergency, call emergency services.
NEVER use this product to power life support devices or life support appliances.

NEVER use this product to power medical devices or medical appliances.

Inform your electricity provider immediately if you or anyone in your household depends on electrical equipment to live.

Inform your electrical provider immediately if a loss of power would cause you or anyone in your household to experience a medical emergency.

⚠ WARNING

Operation of this equipment may create sparks that can start fires around dry vegetation.

A spark arrester may be required. The operator should contact local fire agencies for laws or regulations relating to fire prevention requirements.

⚠ DANGER

Rotating parts can entangle hands, feet, hair, clothing and/or accessories.
Traumatic amputation or severe laceration can result.

Keep hands and feet away from rotating parts.

Tie up long hair and remove jewelry.

Operate equipment with guards in place.

DO NOT wear loose-fitting clothing, dangling drawstrings or items that could become caught.

⚠ WARNING

Rapid retraction of the starter cord will pull hand and arm towards the engine faster than you can let go. Unintentional startup can result in entanglement, traumatic amputation or laceration. Broken bones, fractures, bruises or sprains could result.

When starting engine, pull the starter cord slowly until resistance is felt and then pull rapidly to avoid kickback.

DO NOT start or stop the engine with electrical devices plugged in.

⚠ CAUTION

Exceeding the generator's running capacity can damage the generator and/or electrical devices connected to it.

DO NOT overload the generator.

Start the generator and allow the engine to stabilize before connecting electrical loads.

Connect electrical equipment in the off position, and then turn them on for operation.

Turn electrical equipment off before stopping the generator.

DO NOT tamper with the governed speed.

DO NOT modify the generator in any way.

⚠ CAUTION

Improper treatment or use of the generator can damage it, shorten its life and void your warranty.

Use the generator only for intended uses.

Operate only on level surfaces.

DO NOT expose generator to excessive moisture, dust, or dirt.

DO NOT allow any material to block the cooling slots.

If connected devices overheat, turn them off and disconnect them from the generator.

DO NOT use the generator if:

- Electrical output is lost
- Equipment sparks, smokes or emits flames
- Equipment vibrates excessively

Fuel Safety

⚠ DANGER

PETROL, PETROL VAPORS AND LIQUID PETROLEUM GAS (LPG) ARE HIGHLY FLAMMABLE AND EXPLOSIVE.

Fire or explosion can cause severe burns or death. Unintentional startup can result in entanglement, traumatic amputation or laceration.

Petrol and Petrol Vapors (Petrol):

- PETROL IS HIGHLY FLAMMABLE AND EXPLOSIVE.
- Petrol can cause a fire or explosion if ignited.
- Petrol is a liquid fuel but it's vapors can ignite.
- Petrol is a skin irritant and needs to be cleaned up immediately if spilled on skin or clothes.
- Petrol has a distinctive odor, this will help detect potential leaks quickly.
- In any petrol fire, flames should not be extinguished unless by doing so the fuel supply valve can be turned OFF. This is because if a fire is extinguished and a supply of fuel is not turned OFF, then an explosion hazard could be created.
- Petrol expands or contracts with ambient temperatures. Never fill the petrol tank to full capacity, as petrol needs room to expand if temperatures rise.

Liquefied Petroleum Gas (Propane/LPG):

- LPG (PROPANE) IS HIGHLY FLAMMABLE AND EXPLOSIVE.
- Flammable gas under pressure can cause a fire or explosion if ignited.
- LPG (propane) is heavier than air and can settle in low places while dissipating.
- LPG (propane) has a distinctive odor added to help detect potential leaks quickly.
- In any petroleum gas fire, flames should not be extinguished unless by doing so the fuel supply valve can be turned OFF. This is because if a fire is extinguished and a supply of fuel is not turned OFF, then an explosion hazard could be created.
- When exchanging LPG cylinders, be sure the cylinder valve is of the same type.
- Always keep the LPG cylinder in an upright position.
- LPG will burn skin if it comes in contact with it.

Keep any and all LPG away from skin at all times.

When adding or removing Petrol:

Turn the generator off and let it cool for at least two minutes before removing the fuel cap. Loosen the cap slowly to relieve pressure in the tank.

Only fill or drain fuel outdoors in a well-ventilated area. DO NOT pump petrol directly into the generator at the petrol station. Use an approved container to transfer the fuel to the generator.

DO NOT overfill the fuel tank.

Always keep fuel away from sparks, open flames, pilot lights, heat and other sources of ignition.

DO NOT light or smoke cigarettes.

When starting the generator:

DO NOT attempt to start a damaged generator.

Make certain that the petrol cap, air filter, spark plug, fuel lines and exhaust system are properly in place.

Allow spilled fuel to evaporate fully before attempting to start the engine.

Make certain that the generator is resting firmly on level ground.

When operating the generator:

DO NOT move or tip the generator during operation.

DO NOT tip the generator or allow fuel or oil to spill.

When transporting or servicing the generator:

Make certain that the fuel shutoff valve is in the off position and the fuel tank is empty.

Make certain that a LPG cylinder is not attached to generator and is securely stowed away.

Disconnect the spark plug wire.

When storing the generator:

Store away from sparks, open flames, pilot lights, heat and other sources of ignition.

Do not store generator, petrol or LPG cylinder near furnances, water heaters, or any other appliances that produce heat or have automatic ignitions.

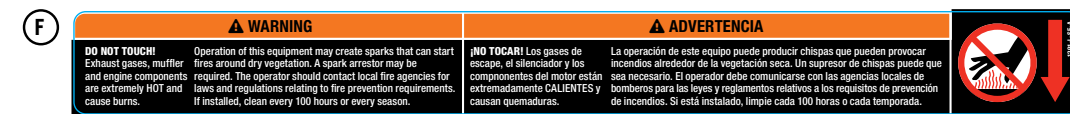
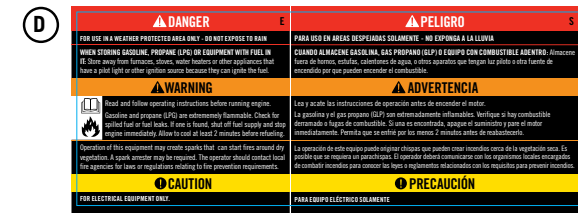
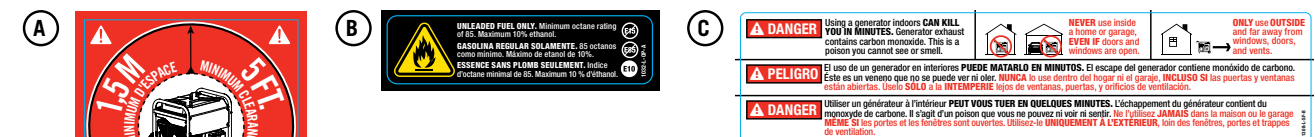
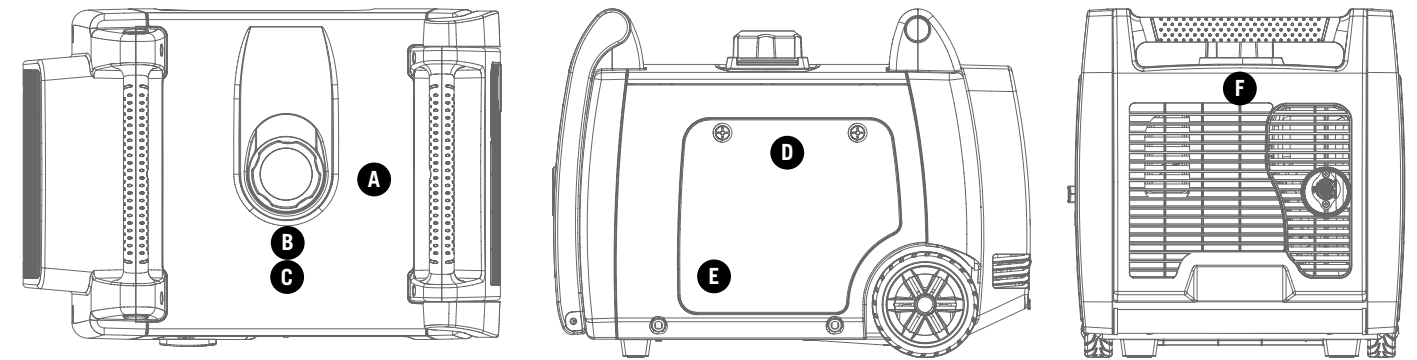
⚠ WARNING

Never use a petrol container, LPG connector hose, petrol tank, LPG cylinder or any other fuel item that is damaged or appears damaged.

Safety Label Locations

These labels warn you of potential hazards that can cause serious injury. Read them carefully.

If a label comes off or becomes hard to read, contact your local dealer's customer service department for possible replacement.



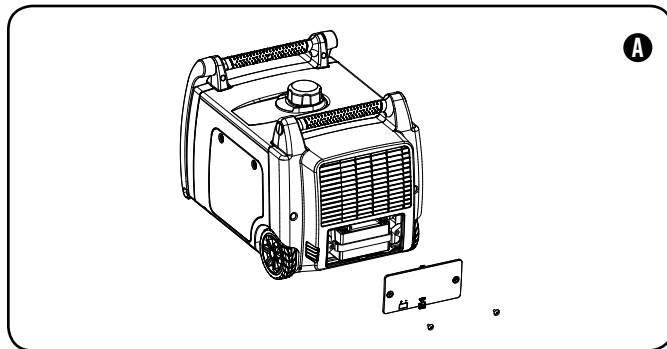
Your generator requires some assembly. This unit ships from our factory without oil. It must be properly serviced with fuel and oil before operation.

Remove the Generator from the Shipping Carton

1. Set the shipping carton on a solid, flat surface.
2. Remove everything from the carton except the generator.
3. Using the carrying handles of the unit, carefully remove the generator from the box. (two people lifting is recommended)

Connecting the Battery (Electric Start Models)

1. Using a screwdriver, remove the two (2) maintenance cover screws from the battery maintenance cover. (A)
2. Once the screws have been removed, the rubber pull-tab on the cover can be pulled out to help loosen and dislodge the maintenance cover. (A)
3. Remove the battery maintenance cover. (A)



4. Cut zip tie that is binding the battery cables together.
5. Using a screwdriver, unscrew the battery bolt in the red, positive (+) battery terminal.
6. Connect the red, positive (+) wire lead to the positive (+) terminal on the battery using the bolt.
7. Pull rubber sheath over battery cable connection and battery terminal.
8. Repeat steps 5-7 for the black, negative (-) battery wire lead and black, negative (-) battery terminal.

Connecting the Battery Cont'd.

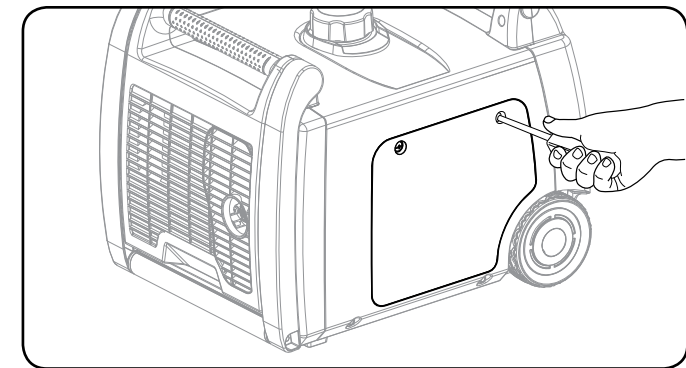
NOTE
If the battery cables are not visible once the battery maintenance cover has been removed, please note that cables may be tucked up above the battery, not in plain view.

Add Engine Oil

CAUTION
DO NOT attempt to crank or start the engine before it has been properly filled with the recommended type and amount of oil. Damage to the generator as a result of failure to follow these instructions will void your warranty.

NOTE
The recommended oil type is 10W-30 automotive oil.

1. Place the generator on a flat, level surface.
2. Loosen the cover screws and remove the maintenance cover.

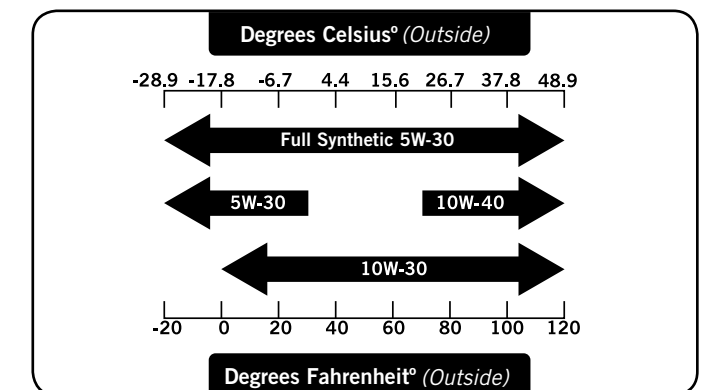


3. Remove oil fill cap/dipstick to add oil.
4. Add oil and replace oil fill cap/dipstick. DO NOT OVERFILL.
5. Check engine oil level daily and add as needed.

NOTE
Once oil has been added, a visual check should show oil about 1-2 threads from running out of the fill hole.
If using the dipstick to check oil level, DO NOT screw in the dipstick while checking.

NOTE
Check oil often during the break-in period. Refer to the Maintenance section for recommended service intervals.

Add Engine Oil Cont'd.



CAUTION
The engine is equipped with a low oil shut-off and will stop when the oil level in the crankcase falls below the threshold level.

NOTE
The generator rotor has a sealed, pre-lubricated ball bearing that requires no additional lubrication for the life of the bearing.

NOTE
We consider the first 5 hours of run time to be the break-in period for the unit. During the break in period stay at or below 50% of the running watt rating and vary the load occasionally to allow stator windings to heat and cool. Adjusting the load will also cause engine speed to vary and help seat piston rings. After the 5 hour break-in period, change the oil.

NOTE
Synthetic oil may be used after the 5 hour initial break-in period. Using synthetic oil does not increase the recommended oil change interval.

NOTE
Weather will affect engine oil and engine performance. Change the type of engine oil used based on weather conditions to suit the engine needs.

Add Fuel (Petrol)

1. Use clean, fresh, regular unleaded fuel with a minimum octane rating of 85 and an ethanol content of less than 10% by volume.
2. DO NOT mix oil with fuel.
3. Clean the area around the fuel cap.
4. Remove the fuel cap.
5. Slowly add fuel to the tank. DO NOT OVERFILL. Fuel can expand after filling. A minimum of 1/4 in. (6.4 mm) of space left in the tank is required for fuel expansion, more than 1/4 in. (6.4 mm) is recommended. Fuel can be forced out of the tank as a result of expansion if it is overfilled, and can affect the stable running condition of the product. When filling the tank, it is recommended to leave enough space for the fuel to expand.
6. Screw on the fuel cap and wipe away any spilled fuel.

CAUTION

Use regular unleaded petrol with a minimum octane rating of 85.

- Do not mix oil and petrol.
- Fill tank to approximately 1/4 in. (6.4 mm) below the top of the tank to allow for fuel expansion.
- DO NOT pump petrol directly into the generator at the petrol station. Use an approved container to transfer the fuel to the generator.
- DO NOT fill fuel tank indoors.
- DO NOT fill fuel tank when the engine is running or hot.
- DO NOT overfill the fuel tank.
- DO NOT light cigarettes or smoke when filling the fuel tank.

WARNING

Pouring fuel too fast through the fuel screen may result in blow back of fuel at the operator while filling.

Add Fuel Cont'd.

NOTE

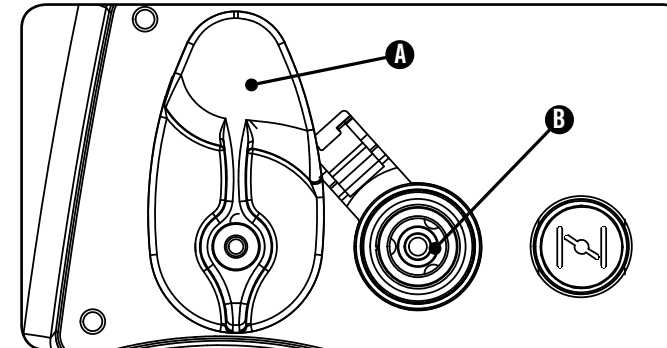
Our engines work well with 10% or less ethanol blend fuels. When using blended fuels there are some issues worth noting:

- Ethanol-petrol blends can absorb more water than petrol alone.
- These blends can eventually separate, leaving water or a watery goo in the tank, fuel valve and carburetor.
- With gravity-fed fuel supplies, this compromised fuel can be drawn into the carburetor and cause damage to the engine and/or potential hazards.
- There are only a few suppliers of fuel stabilizer that are formulated to work with ethanol blend fuels.
- Any damages or hazards caused by using improper fuel, improperly stored fuel, and/or improperly formulated stabilizers, are not covered by manufacture's warranty.

It is advisable to always shut off the fuel supply, run the engine to fuel starvation and drain the tank when the equipment is not in use for more than 30 days.

Connecting the Propane (LPG) Cylinder

1. Make sure the fuel selector switch on the inverter is in the 12 o'clock (vertical) position. (A)
2. Using your fingers, slide the outer barrel back on the LPG quick connect hose fitting (B).
3. While the outer barrel is in the back position, insert the LPG hose (included) into the inlet and release the outer barrel. The barrel will automatically return and lock the hose in the inlet.
4. Remove the safety plug or cap from the cylinder valve.
5. Attach the other end of the hose to the LPG cylinder and hand tighten.
6. Check all connections for leaks by wetting the fittings with a solution of soap and water. Bubbles which appear or bubbles which grow indicate that a leak exists. If a leak exists at a fitting then turn off the gas valve at the tank and tighten the fitting. Turn the gas back on and recheck the fitting with the soap and water solution. If the leak continues or if the leak is not at a fitting then do not use the generator and contact customer service.



NOTE

- Use only standard 20 or 30 pound capacity LP tanks with Type 1, right hand Acme threads.
- Verify the requalification date on the tank has not expired.
- All new cylinders must be purged of air and moisture prior to filling. Used cylinders that have not been plugged or kept closed must also be purged.
- The purging process should be done by a LPG supplier. (Cylinders from an exchange supplier should have been purged and filled properly already).
- Always position the cylinder so the connection between the valve and the gas inlet won't cause sharp bends or kinks in the hose.

Connecting LPG Cylinder Cont'd.

CAUTION

Do not allow children to tamper or play with the cylinder or hose connections.

CAUTION

Use approved LPG cylinders equipped with an OPD (overfilling prevention device) valve. Always keep the cylinder in a vertical position with the valve on top and installed at ground level on a flat surface. Cylinders must not be installed near any heat source and should not be exposed to sun, rain, and dust. When transporting and storing, turn off the cylinder valve and fuel valve, and disconnect the cylinder. Plug the outlet, usually by a plastic protective cap, if one is available. Keep cylinders away from heat and ventilated when in a vehicle.

WARNING

If there is a strong smell of gas: Close off the gas supply at the cylinder. Use soapy water, which will produce a large bubble at the point of any leak, to check the hose, and connections on the cylinder valve and the generator. Do not smoke or light a cigarette, or check for leaks using a match, open flame source or lighter. Contact a qualified technician to inspect and repair the LPG system if a leak is found, before using the generator.

Grounding

Your generator must be properly connected to an appropriate ground to help prevent electric shock.

WARNING

Failure to properly ground the generator can result in electric shock.

A ground terminal connected to the frame of the generator has been provided on the power panel. For remote grounding, connect of a length of heavy gauge (12 AWG minimum) copper wire between the generator ground terminal and a copper rod driven into the ground. We strongly recommend that you consult with a qualified electrician to ensure compliance with local electrical codes.

Generator Location

NEVER operate the generator inside any building, including garages, basements, crawlspaces and sheds, enclosure or compartment, including the generator compartment of a recreational vehicle. Please consult your local authority. In some areas, generators must be registered with the local utility. Generators used at construction sites may be subject to additional rules and regulations. Generators should be on a flat, level surface at all times (even while not in operation). Generators must have at least 5 ft. (1.5 m) of clearance from all combustible material. In addition to clearance from all combustible material, generators must also have at least 3 ft. (91.4 cm) of clearance on all sides to allow for adequate cooling, maintenance and servicing. Generators should never be started or operated in the back of a SUV, camper, trailer, in the bed of a truck (regular, flat or otherwise), under staircases/stairwells, next to walls or buildings, or in any other location that will not allow for adequate cooling of the generator and/or the muffler. DO NOT contain generators during operation. Allow generators to properly cool before transport or storage. Place the generator in a well-ventilated area. DO NOT place the generator near vents or intakes where exhaust fumes could be drawn into occupied or confined spaces. Carefully consider wind and air currents when positioning generator.

Failure to follow proper safety precautions may void manufacturer's warranty.

⚠ WARNING

Do not operate or store the generator in rain, snow, or wet weather.

Using a generator or electrical appliance in wet conditions, such as rain or snow, or near a pool or sprinkler system, or when your hands are wet, could result in electrocution.

⚠ WARNING

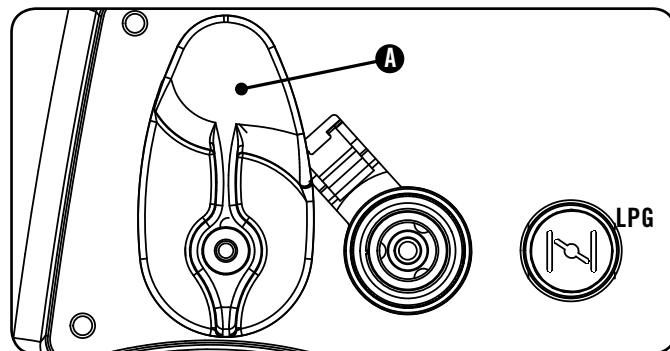
During operation the muffler and exhaust fumes produced will become hot. If adequate cooling and breathing space are not supplied, or if the generator is blocked or contained, temperatures can become extremely heated and may lead to fire.

Grounding

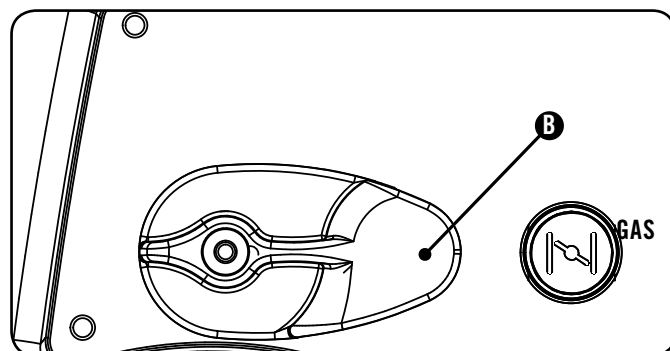
The generator system ground connects the frame to the ground terminals on the power panel. The system ground is connected to the AC neutral wire.

Fuel Selector Switch

The fuel selector switch on the front panel of the inverter is designed to choose the desired fuel source—Petrol or LPG. To select the desired fuel source, simply rotate the selector switch to the fuel symbol on the panel. Turn the fuel selector switch to the 12 o'clock (vertical) position for LPG operation. (A)



Turn the fuel selector switch to the 3 o'clock (horizontal) position for petrol operation. (B)



NOTE

When the fuel selector switch is in the 3 o'clock position, the petrol fuel valve is OPEN. To CLOSE the petrol fuel valve, turn the selector switch to the 12 o'clock position.

Starting the Inverter

CAUTION

If the ignition switch is held down in the “Start” position longer than 5 seconds it could damage the starter.

NOTE

The supplied 12V 7AH battery does re-charge while the engine is running, but it is also recommended that the battery be fully charged at least once per month.

NOTE

When the battery switch is in the “ON” position, the switch will light up if the battery is sending out a charge. If the switch does not light up while in the “ON” position, check that the battery connection is still good.

NOTE

If the engine starts but does not continue to run make certain that the generator is on a flat, level surface. The engine is equipped with a low oil sensor that will prevent the engine from running when the oil level falls below a critical threshold.

Petrol

NOTE

The generator will NOT START with petrol without battery charge or an appropriate connection.

1. Make certain the generator is on a flat, level surface.
2. Disconnect all electrical loads from the generator. Never start or stop the generator with electrical devices plugged in or turned on.
3. Turn the fuel selector switch to the “Horizontal” position.
4. Pull the choke out to the “CHOKE” position.
5. Push the ignition switch to the “ON” position.
6. Push the battery switch to the “ON” position.
7. ELECTRIC START: Press and hold the ignition switch to the “START” position. Release as the engine begins to start. If the engine fails to start within five seconds, release the switch and wait at least ten seconds before attempting to start the engine again.
8. RECOIL START: Pull the starter cord slowly until resistance is felt and then pull rapidly.
9. Do not over-choke. Allow the engine to warm up several seconds before gradually pushing the choke to the “RUN” position..

NOTE

Keep choke in “Choke” position for only 1 pull of the recoil starter. After first pull, push choke in for up to the next 3 pulls of the recoil starter. Too much choke leads to sparkplug fouling/engine flooding due to the lack of incoming air. This will cause the engine not to start.

LPG

1. Make certain the generator is on a flat, level surface.
2. Disconnect all electrical loads from the generator. Never start or stop the generator with electrical devices plugged in or turned on.
3. Turn the fuel selector switch to the "Vertical" position and connect LPG hose.
4. Fully open the LPG cylinder fuel knob.
5. Push the ignition switch to the "ON" position.
6. Push the battery switch to the "ON" position.
7. ELECTRIC START: Pull the choke to the "Choke" position.
8. Press and hold the ignition switch to the "START" position. Release as the engine begins to start. If the engine fails to start within five seconds, release the switch and wait at least ten seconds before attempting to start the engine again.
9. Do not over-choke. Allow the engine to warm up several seconds before gradually pushing the choke to the "RUN" position.
10. RECOIL START: Pull the choke to the "Choke" position.
11. PULL-TO-PRIME: Pull the starter cord slowly until resistance is felt and then pull rapidly. Pull with choke out 1-2 times until you feel a few combustion pulses that indicates that the engine momentarily started.
12. Push the choke in.
13. Pull the starter cord slowly until resistance is felt and then pull rapidly.
14. If engine fails to start in 1-pull with choke in the "RUN" position, then pull choke out and repeat the PULL-TO-PRIME step.

Starting LPG Cont'd.

NOTE

Observing frost on LPG containers and regulators is common during operation and normally is not an indication of a problem. As LPG vaporizes and travels from the tank to the generator engine it expands. The amount of frost that forms can be affected by the size of the container, the amount of fuel being used, the humidity of the air and other operating conditions. In unusual situations this frost may eventually restrict the flow of gas to the generator resulting in deteriorating performance. For example, if the tank temperature is reduced to a very low level then the rate at which the LPG vaporizes is also reduced and may not provide sufficient fuel flow to the engine. This is not an indication of a problem with the generator but only a problem with the flow of gas from the LPG container. If generator performance seems to be deteriorating at the same time that ice formation is observed on tank valve, hose or regulator then some actions may be taken to eliminate this symptom.

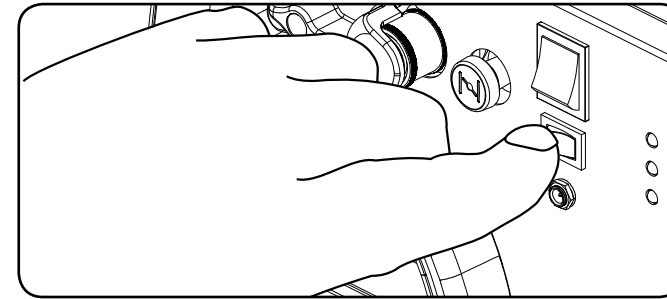
In these rare situations it can be helpful to reduce or eliminate the cold fuel system effects by doing one of the following:

- Exchanging fuel tanks to allow the first tank to warm up, repeating as necessary
- Placing the LPG container at the end of the generator near the handle, where engine fan air flows out from the generator. This air is slightly heated by flowing over the engine. The container should not be placed in the path of the muffler outlet.
- The container can be temporarily warmed by pouring warm water over the top of the tank.

Economy Control Switch

The Economy Control switch can be activated in order to minimize fuel consumption and noise while operating the unit during times of **reduced electrical output**, allowing the engine speed to idle during periods of non-use.

The engine speed returns to normal when an electrical load is connected. When the economy switch is off, the engine runs at normal speed continuously.



WARNING

For periods of high electrical load or momentary fluctuations, the Economy Control Switch should be turned OFF.

12V DC Outlet

The 12V DC outlet can be used with the supplied charge cable and USB charger and other commercially available 12V DC automotive style plugs. The DC output is unregulated and can damage some products. Confirm your accessory input voltage range is at least 12-24V DC. When using the DC outlet turn the Economy mode switch to the "OFF" position.

WARNING

Do not operate a device while it is plugged in to the 12V DC outlet.

Prolonged exposure to engine exhaust can cause serious injury or death.

WARNING

While charging a device do not place on the exhaust side of the generator. Extreme heat caused by exhaust can damage the device, and cause a potential fire hazard.

Connecting Electrical Loads

1. Let the engine stabilize and warm up for a few minutes after starting
2. Plug in and turn on the desired 120 Volt AC single phase, 60 Hz electrical loads.
 - DO NOT connect 3-phase loads to the generator.
 - DO NOT connect 50 Hz loads to the generator.
 - DO NOT overload the generator.

NOTE

Connecting a generator to your electric utility company's power lines or to another power source may be against the law. In addition this action, if done incorrectly, could damage your generator and appliances and could cause serious injury or even death to you or a utility worker who may be working on nearby power lines. If you plan to run a portable electric generator during an outage, please notify your electric utility company immediately and remember to plug your appliances directly into the generator. Do not plug the generator into any electric outlet in your home. Doing so could create a connection to the utility company power lines. You are responsible for ensuring that your generator's electricity does not feed back into the electric utility power lines.

If the generator will be connected to a building electrical system, consult your local utility company or a qualified electrician. Connections must isolate generator power from utility power and must comply with all applicable laws and codes.

Parallel Operation

Two (2) Champion model 730011-DF (EU) generators can be operated in parallel to increase the total available electrical power. A Champion model CPGPARKIT3K parallel kit (optional equipment) is required for parallel operation. For kit availability, call customer service at your local dealer.

Detailed instructions for parallel kit installation and operation of the connected generators are provided in the parallel kit owner's manual and operating instructions.

Do Not Overload Generator

Capacity

Follow these simple steps to calculate the running and starting watts necessary for your purposes.

1. Select the electrical devices you plan on running at the same time.
2. Total the running watts of these items. This is the amount of power you need to keep your items running.
3. Identify the highest starting wattage of all devices identified in step 1. Add this number to the number calculated in step 2. Surge wattage is the extra burst of power needed to start some electric driven equipment. Following the steps listed under "Power Management" will guarantee that only one device will be starting at a time.

Power Management

Use the following formula to convert voltage and amperage to watts:

$$\text{Volts} \times \text{Amps} = \text{Watts}$$

To prolong the life of your generator and attached devices, follow these steps to add electrical load:

1. Start the generator with no electrical load attached.
2. Allow the engine to run for several minutes to stabilize.
3. Plug in and turn on the first item. It is best to attach the item with the largest load first.
4. Allow the engine to stabilize.
5. Plug in and turn on the next item.
6. Allow the engine to stabilize.
7. Repeat steps 5-6 for each additional item.

NOTE

Never exceed the specified capacity when adding loads to the generator.

Stopping the Engine

1. Turn off and unplug all electrical loads. Never start or stop the generator with electrical devices plugged in or turned on.
2. Let the generator run at no-load for several minutes to stabilize internal temperatures of the engine and generator.
3. Turn the Fuel Valve to the "OFF" position if operating by petrol.
4. Turn the LPG cylinder knob to the "CLOSE" or off position if operating by LPG.
5. Let the engine run until fuel starvation has stopped the engine. This usually takes a few minutes.
6. Press the ignition switch to the "OFF" position.
7. Turn battery switch to the "Off" Position.

Important: Always ensure that the fuel valve and the ignition switch are in the "OFF" position when the engine is not in use.

NOTE

When turning off the generator after LPG operation, make sure the LPG cylinder knob is in the fully closed position.

NOTE

If the engine will not be used for a period of two (2) weeks or longer, please see the Storage section for proper engine and fuel storage.

NOTE

Always turn the battery switch to the "OFF" position when unit is not in use, this will stop the battery from being drained. Follow the maintenance and storage instructions for the generator and battery when the unit will not be used for a period of 2 weeks or more.

Operation at High Altitude

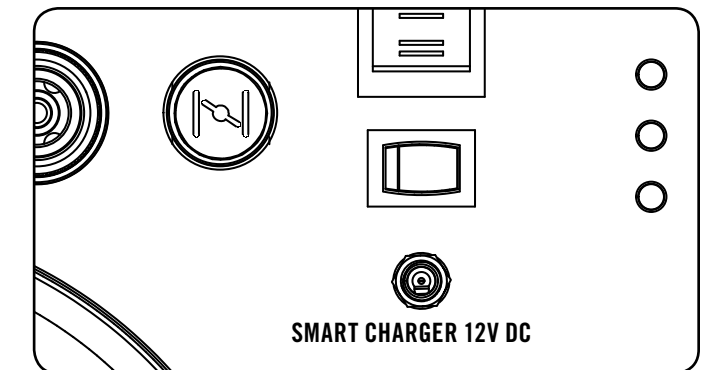
The density of air at high altitude is lower than at sea level. Engine power is reduced as the air mass and air-fuel ratio decrease. Engine power and generator output will be reduced approximately 3½% for every 1000 ft. of elevation above sea level. This is a natural trend and cannot be changed by adjusting the engine. At high altitudes increased exhaust emissions can also result due to the increased enrichment of the air fuel ratio. Other high altitude issues can include hard starting, increased fuel consumption and spark plug fouling.

Overload Operation

The overload indicator light will turn on when the rated load is exceeded. When the maximum load is reached, the LED will blink and cut power to the receptacles. To recover the power, shut down the engine, wait until the light turns off and restart the generator.

Smart Charger

The smart charger (included) is a device that is used to charge the generator battery. The smart charger plugs into the generator, into the DC input on the front panel, and then into a household outlet power source. There is a light on the charger. If the battery is in need of a charge or charging then the red light will light up. If the battery is good and not in need of charging or has completed charging then the green light will light up. The smart charger is programmed not to charge or to stop charging when the light is green. This is a safety feature that will help prevent damage to the battery and generator.

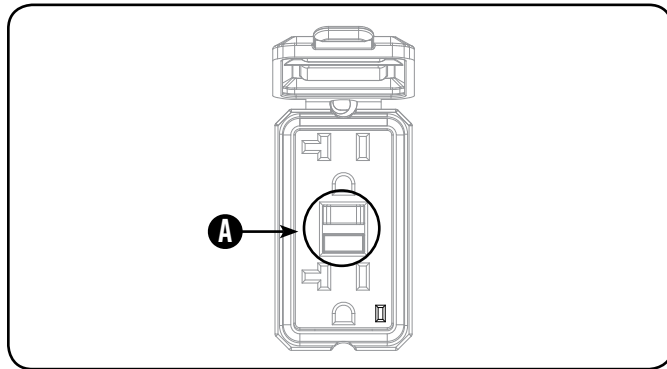


NOTE

If the battery is completely dead, and won't hold a charge, then the smart charger can be plugged into a power source to enable power to the choke.

GFCI

Your generator is equipped with two (2) Ground Fault Circuit Interrupter (GFCI) duplexes. In the event of a ground fault, a GFCI trips automatically to stop the flow of electricity and prevent serious injury. The green indicating light on the receptacle will also turn off. Press the reset button located on the front of the receptacle to restore flow of electricity. (A) The green indicating light will also turn back on. GFCI does not protect against circuit overloads.



To ensure proper operation of the GFCI duplex, perform this test monthly:

1. With the generator running, plug a lamp into the GFCI receptacle. Turn the lamp on.
2. Press the "Test" button located on the front of the receptacle to trip the device. (A) This should immediately stop the flow of electricity and shut off the lamp. If the electricity is not stopped, do not use this receptacle until it has been serviced or replaced.
3. Press the "Reset" button located on the front of the receptacle to restore the flow of electricity. If the indicator light does not go out and come back on or if the GFCI cannot be reset then it must be replaced.

WARNING

For the GFCI receptacles to work properly the neutral wire must be bonded to ground or to the generator frame. Your Champion generator comes with the neutral wire already bonded to the frame. If the bonding wire is removed then the GFCI receptacles will no longer function as designed. If the neutral bonding wire is removed to accommodate a transfer switch installation for connection to a house or building, then the transfer switch must not switch off the neutral connection to ground within the building. Champion Power Equipment recommends that you consult with a licensed, local electrician. Due to the variety of local codes, we cannot specifically advise you regarding modifications to the wiring of your portable generator.

The owner/operator is responsible for all periodic maintenance.

WARNING

Never operate a damaged or defective generator.

WARNING

Tampering with the factory set governor will void your warranty.

WARNING

Improper maintenance will void your warranty.

NOTE

Maintenance, replacement, or repair of emission control devices and systems may be performed by any non-road engine repair establishment or individual.

Complete all scheduled maintenance in a timely manner. Correct any issue before operating the generator.

Engine Maintenance

To prevent accidental starting, remove and ground spark plug wire before performing any service.

Oil

Change oil when the engine is warm. Refer to the oil specification to select the proper grade of oil for your operating environment.

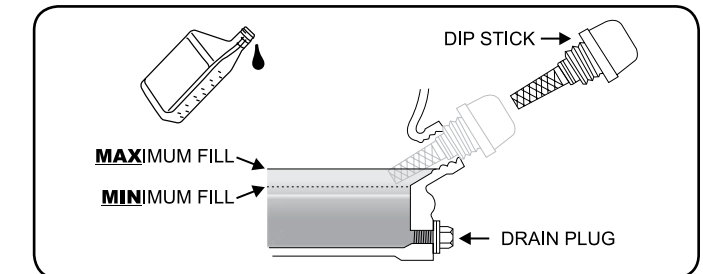
1. Set the generator on top of a work bench or table.
2. Loosen the cover screws and remove the maintenance cover.
3. Pop up the rubber maintenance plug, from below the drain bolt.
4. Remove the drain bolt.
5. Tilt the generator on its side and allow the oil to drain completely.
6. Replace the drain bolt.
7. Add standard engine oil and replace oil fill cap/dipstick. DO NOT OVERFILL.

Oil Cont'd.

8. Reinstall the maintenance cover and tighten the cover screws.
9. Dispose of used oil at an approved waste management facility.

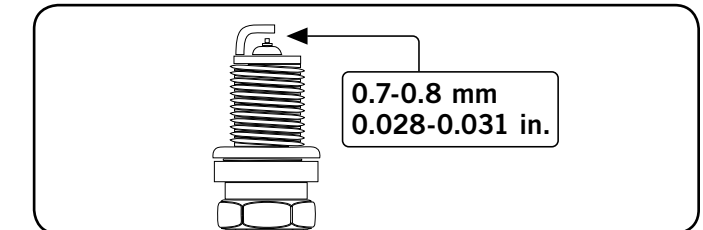
NOTE

Once oil has been added, a visual check should show oil about 1-2 threads from running out of the fill hole. If using the dipstick to check oil level, DO NOT screw in the dipstick while checking.



Spark Plugs

1. Remove the spark plug cable from the spark plug.
2. Use a spark plug socket tool or socket (not included) to remove the plug.
3. Inspect the electrode on the plug. It must be clean and not worn to produce the spark required for ignition.
4. Make certain the spark plug gap is 0.7 - 0.8 mm or (0.028 - 0.031 in.).
5. Refer to the spark plug recommendation chart when



- replacing the plug.
6. Carefully thread the plug into the engine.
7. Use the spark plug socket (not included) to firmly install the plug.
8. Attach the spark plug wire to the plug.

Air Filter

1. Remove the maintenance cover.
2. Locate the air filter plastic cover.
3. Unsnap the locking hinge on the cover.
4. Remove the old filter.
5. Place the new filter in the assembly.
6. Re-snap the hinge on the air filter cover.
7. Reinstall the maintenance cover and tighten the cover screw securely.

Cleaning

⚠ CAUTION

DO NOT spray generator with water.

Water can contaminate the fuel system.

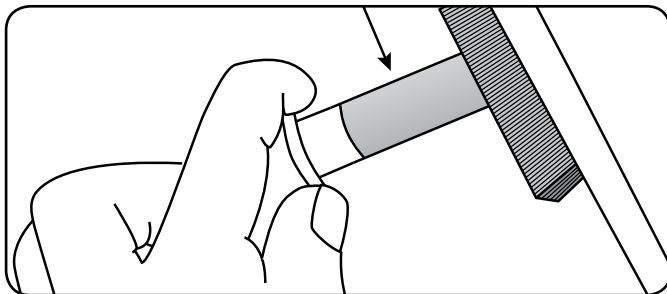
Use a damp cloth to clean exterior surfaces of the generator.

Use a soft bristle brush to remove dirt and oil.

Use an air compressor (25 PSI) to clear dirt and debris from the generator.

Spark Arrester

1. Allow the engine to cool completely before servicing the spark arrester.
2. Remove the two screws holding the cover plate which retains the end of the spark arrester to the muffler.
3. Remove the spark arrester screen.
4. Carefully remove the carbon deposits from the spark arrester screen with a wire brush.
5. Replace the spark arrester if it is damaged.
6. Position the spark arrester in the muffler and attach with the two screws.



⚠ CAUTION

Failure to clean the spark arrester will result in degraded engine performance.

Adjustments

The air-fuel mixture is not adjustable. Tampering with the governor can damage your generator and your electrical devices and will void your warranty.

Maintenance Schedule

Follow the service intervals indicated in the following maintenance schedule.

Service your generator more frequently when operating in adverse conditions.

Every 8 hours or daily	
Check oil level	
Clean around air intake and muffler	
Check hoses for leaks	
First 5 hours	
Change oil	
Every 50 hours or every season	
Clean air filter	
Change oil if operating under heavy load or in hot environments	
Every 100 hours or every season	
Change oil	
Clean/Adjust spark plug	
Check/Adjust valve clearance*	
Clean spark arrester	
Clean fuel tank and filter*	
Every 250 hours	
Clean combustion chamber*	
Every 3 years	
Replace fuel line and LPG hose	

*To be performed by knowledgeable, experienced owners or Champion Power Equipment certified dealers.

Generator Battery

This product is equipped with an automatic battery charging circuit. The battery will receive charging voltage when the engine is running. The battery will maintain a proper charge if the unit is used on a regular basis (about once every two weeks). If it is used less frequently, the battery should be connected to a trickle charger (included) or battery maintainer to keep the battery properly charged. If the battery is not able to start the engine, it can be started by manually pulling the engine recoil cord. If the battery voltage is extremely low, the charging circuit may not be able to re-charge the battery. In this case, the battery must be connected to a standard automotive style battery charger for re-charging before it can be used.

Charge the Battery

For a generator equipped with batteries for electric starting, proper battery maintenance and storage should be followed. An automatic battery charger (included) with automatic charging capability should be used to charge the battery. Maximum charging rate should not exceed 1.5 amps. Follow the instructions included with the battery charger. The battery should be fully charged at least once per month.

NOTE

A Float Charger will maintain the battery condition over long storage periods.

Disconnect the Battery

1. Remove the battery panel cover.
2. Remove the protective cover from the black/negative battery lead.
3. Disconnect the black/negative lead from the black/negative terminal on the battery and store the cap screw and nut.
4. Repeat steps 1-2 for the red/positive battery lead.
5. Store the battery in a cool, dry place.

Generator Maintenance

Make certain that the generator is kept clean and stored properly. Only operate the unit on a flat, level surface in a clean, dry operating environment. DO NOT expose the unit to extreme conditions, excessive dust, dirt, moisture or corrosive vapours.

Use a damp cloth to clean exterior surfaces of the generator.

Use a soft bristle brush to remove dirt and oil.

Use an air compressor (25 PSI) to clear dirt and debris from the generator.

Inspect all air vents and cooling slots to ensure that they are clean and unobstructed.

⚠ CAUTION

DO NOT use a garden hose to clean the generator.

Water can enter the generator through the cooling slots and damage the generator windings.

Storage

The generator should be started at least once every 14 days and allowed to run for at least 20 minutes. For longer term storage, please follow these guidelines.

Generator Storage

1. Add a properly formulated fuel stabilizer to the tank.
2. Be sure all appliances are disconnected from the generator.
3. Run the generator for a few minutes so the treated fuel cycles through the fuel system and carburetor.
4. Turn the fuel valve to the "Off" position.
5. Let the generator run until fuel starvation has stopped the engine. This usually takes a few minutes.
6. The generator needs to cool completely before cleaning and storage.
7. Remove the spark plug cap, then pull the recoil grip 3 times to drain the petrol from the carburetor jets.
8. Change the engine oil.
9. Remove the spark plug and pour about a tablespoon of oil into the cylinder. Crank the engine slowly to distribute the oil and lubricate the cylinder.
10. Reattach the spark plug.
11. Store the unit in a clean, dry place out of direct sunlight.

DANGER

Generator exhaust contains odorless and colorless carbon monoxide gas.

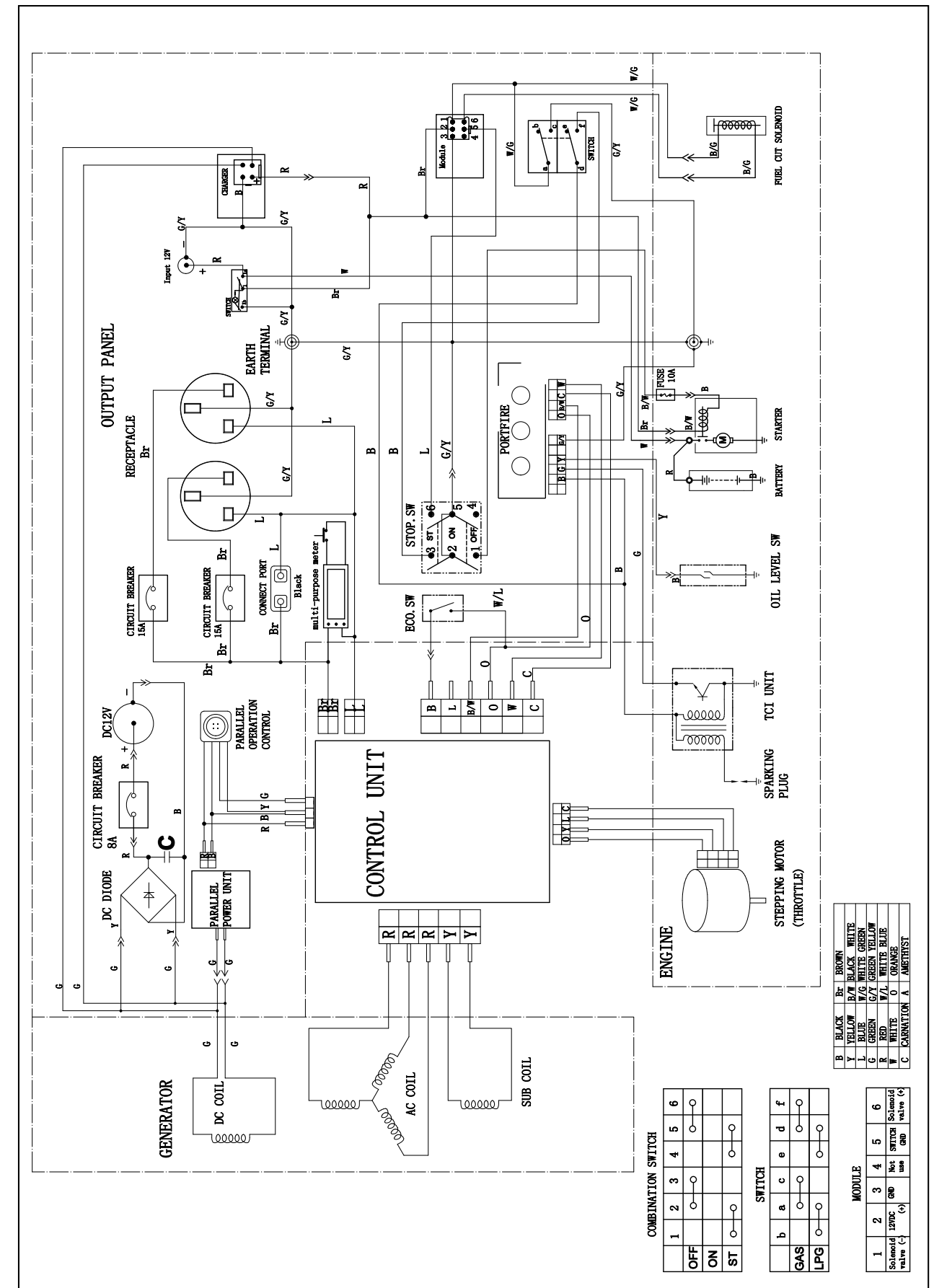
To avoid accidental or unintended ignition of your electric start generator during periods of storage, the following precautions should be followed:

- When storing the generator for short periods of time make sure that the ignition switch, the fuel valve and the battery switch are set in the OFF position.
- When storing the generator for extended periods of time make sure that the ignition switch, the fuel valve and the battery switch are set in the the OFF position and the battery leads have been disconnected from the battery.

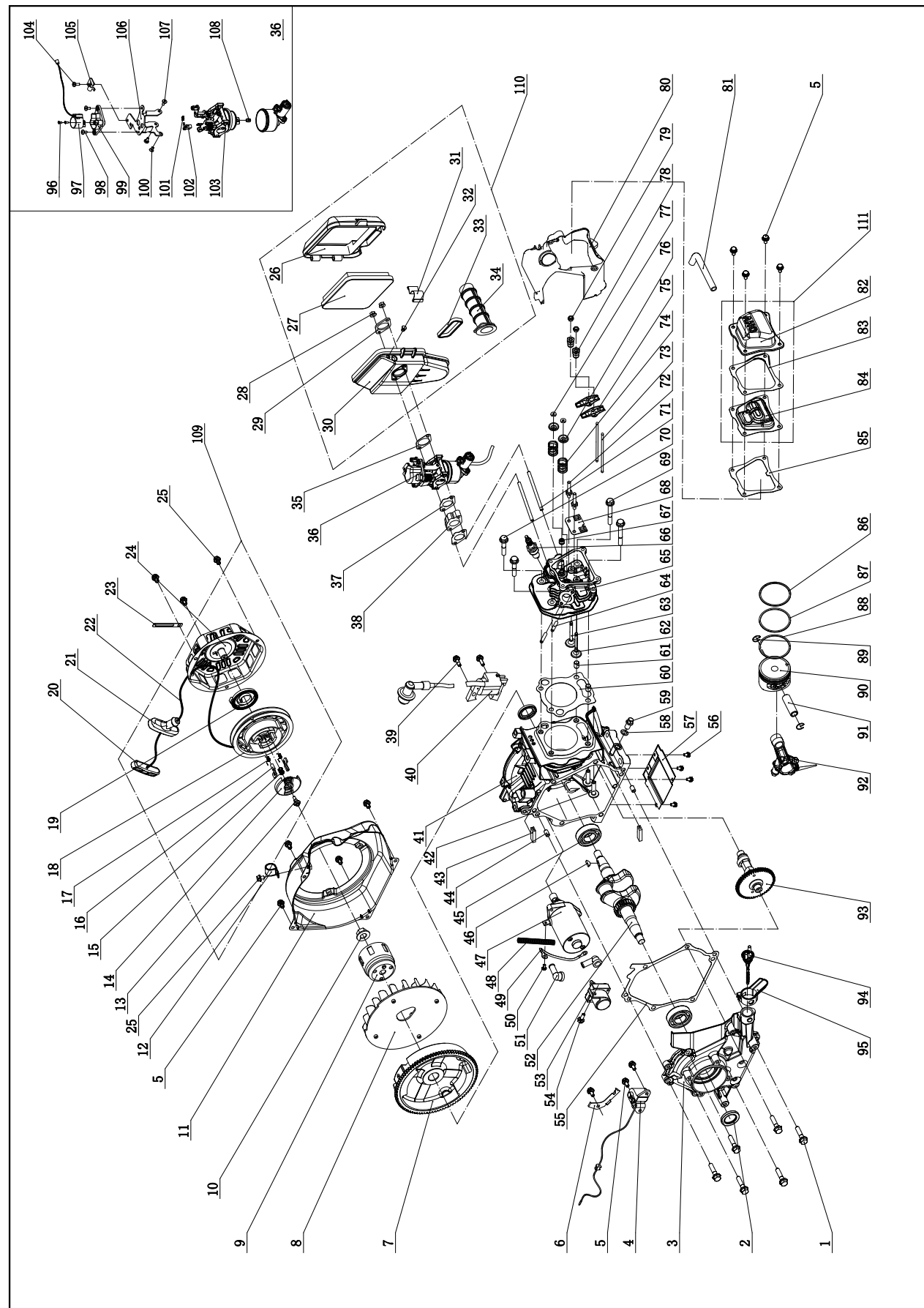
Problem	Cause	Solution
Generator will not start	No fuel	Add fuel
	Faulty spark plug	Replace spark plug
	Unit loaded during start up	Remove load from unit
Generator will not start; Generator starts but runs roughly	Low oil level	Fill crankcase to the proper level Place generator on a flat, level surface
	Choke in the wrong position	Adjust choke
	Spark plug wire loose	Attach wire to spark plug
Generator will not start electrically	Generator battery is dead	Recharge generator battery
	Battery switch is in the "OFF" position	Turn battery switch to "ON" position
Generator shuts down during operation	Out of fuel	Fill fuel tank
	Low oil level	Fill crankcase to the proper level. Place generator on a flat, level surface
Generator cannot supply enough power or overheating	Generator is overloaded	Review load and adjust. See "Power Management"
	Insufficient ventilation	Check for air restriction. Move to a well ventilated area
No AC output	Cable not properly connected	Check all connections
	Connected device is defective	Replace defective device
	Circuit breaker is open	Reset circuit breaker
	Loose wiring	Inspect and tighten wiring connections
	Other	Contact the help line
Repeated circuit breaker tripping	Overload	Review load and adjust. See "Power Management"
	Faulty cords or device	Check for damaged, bare or frayed wires. Replace defective device

SPECIFICATIONS	73001i-DF-EU
Gasoline Starting Watts	3500W
Gasoline Running Watts	3200W
Propane Starting Watts	3150W
Propane Running Watts	2880W
Gasoline Starting Amps at 120V	15.91A
Gasoline Running Amps at 120V	14.55A
Propane Starting Amps at 120V	14.32A
Propane Running Amps at 120V	13.09A
Volts	220
Frequency	50Hz
Outlets	220V 16A Euro 2Pin
GFCI Outlets	No
Covered Outlets	Yes
Gasoline Run Time at 1/4 Load	7.5 h.
Propane Run Time at 1/4 Load	14.5 h.
Noise Level	59.0 dBA
Inverter	Yes
Parallel Capability	Yes
DC Operation	Yes
Voltmeter	No
Automatic Voltage Regulation	No
Battery	Yes
Start Type	Recoil, Electric
Engine Brand	Champion
Engine Size	192cc
Engine Type	4-stroke
Engine Speed	Variable
Fuel Type	Gasoline, Propane (LPG)
Fuel Gauge	No
Gasoline Capacity	6L
Gasoline Tank Material	Steel
Engine Oil Type	10W-30
Engine Oil Capacity	0.6 L
Engine Oil Included	No
Low Oil Shut-Off	Yes
Wheels	Yes
Wheel Type	Solid
Wheel Diameter	5.5 in.
CE Approved	Yes

73001i-DF (EU) WIRING DIAGRAM



73001I-DF (EU) PARTS DIAGRAM

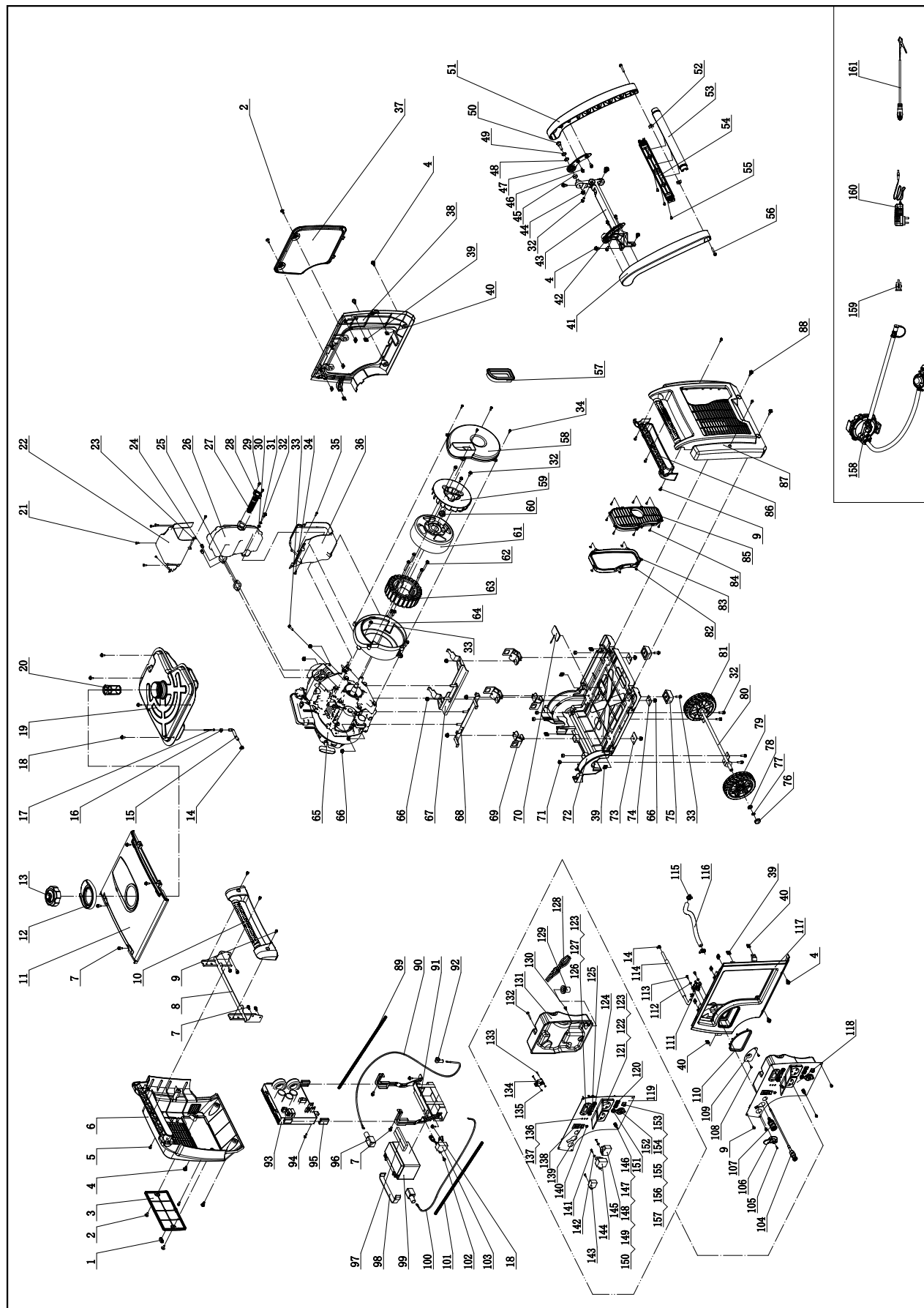


73001I-DF (EU) PARTS LIST

No	Part Number	Description	QTY
1	1.5789.0835	Flange Bolt, M8 x 35	6
2	2.11.014	Oil Seal	2
3	83.030007.01	Cover, Crankcase	1
4	83.127000.01	Oil Level Sensor	1
5	1.5789.0612	Flange Bolt, M6 x 12	11
6	83.030010.01	Plate, Coil	1
7	83.120100.02	Flywheel	1
8	83.080001.01	Cooling Fan	1
9	83.060001.01	Pulley, Starter	1
10	2.02.006	Flange Nut, M14 x 1.5	1
11	87.080100.01.2	Fan Cover	1
12	2.06.029	Clamp, Ø17	1
13	45.060008.00	Screw, Ratchet Guide	1
14	45.060007.00	Ratchet Guide	1
15	45.060009.00	Spring, Ratchet Guide	1
16	45.060002.00	Starter Ratchet, Iron	2
17	45.060003.00	Spring, Ratchet	2
18	21.061001.01	Reel, Recoil Starter	1
19	21.061005.00	Spring, Recoil Starter	1
20	81.061010.01	Holder, Rope	1
21	81.061006.00	Grip, Rubber	1
22	2.10.001	Rope, Ø4 x 1570	1
23	2.05.050	Clamp, 100 mm, Wire	1
24	83.061100.01.2	Cover, Recoil Starter	1
25	1.5789.0608	Flange Bolt, M6 x 8	4
26	83.091200.01	Cover, Air Cleaner	1
27	83.091300.01	Element, Air Cleaner	1
28	1.6177.1.06	Lock Nut M6, Flange	2
29	83.090001.01	Flange, Steel	1
30	83.091100.01	Base, Air Cleaner	1
31	83.091006.01	Buckle	1
32	83.091008.01	Plug, Air Cleaner Base	1
33	83.091002.02	Seal	1
34	83.090004.01	Pipe, Air Cleaner	1
35	83.130004.01	Gasket, Air Cleaner	1
36	87.130000.01	Carburetor Assembly	1
37	83.130002.01	Gasket, Insulator	2
38	83.130001.01	Insulator, Carburetor	1
39	1.5789.0620	Flange Bolt, M6 x 20	2
40	28.123000.00	Ignition Coil	1
41	28.030100.01	Crankcase	1
42	83.040013.01	Lifter, Valve	2
43	83.030013.01	Seal Strip, Crankcase Cover	2
44	2.04.002	Dawl Pin, 8 x 14	2
45	1.276.6205	Bearing 6205	2
46	2.14.017	Woodruff Key, 4 x 6.5 x 16	1
47	83.125100.01	Starter Motor	1
48	5.1320.010	Plastic Corrugated Pipe, Ø6.8 x Ø10 x 100	1
49	5.1900.065	Red Wire, 130 mm	1
50	1.9074.3.0508	Screw/Washer Assembly, M5 x 8	1
51	152.200013.01	Sheath, Rubber	2
52	83.050100.01	Crankshaft	1
53	83.125200.01	Relay, Starter	1
54	1.5789.0615	Flange Bolt, M6 x 15	1
55	83.030008.01	Gasket, Crankcase Cover	1
56	1.9074.4.0510	Screw/Washer Assembly, M5 x 10	4

No	Part Number	Description	QTY
57	83.080014.01.01	Air Guide Board	1
58	2.03.016	Washer, Ø10 x Ø16 x 1.5, Drain Bolt	1
59	2.08.037	Bolt, M10 x 1.25 x 25, Drain	1
60	28.030009.00	Gasket, Cylinder Head	1
61	2.04.003	Dowel Pin, Ø10 x 14	2
62	83.040006.01	Valve, Exhaust	1
63	83.040002.01	Valve, Intake	1
64	2.01.017	Stud Bolt, M6 x 32	2
65	28.010100.00	Cylinder Head	1
66	2.15.008	Spark Plug, F7RTC	1
67	83.040017.01	Oil Seal, Valve	1
68	83.040004.01	Guide Plate, Push Rod	1
69	1.5789.0865	Flange Bolt, M8 x 65	2
70	1.5789.0850	Flange Bolt, M8 x 50	2
71	2.01.020	Stud Bolt, M6 x 97	2
72	83.040010.01	Bolt, Rocker Arm	2
73	83.040005.01	Push Rod	2
74	83.040003.01	Spring, Valve	2
75	83.040009.01	Rocker Arm, Valve	2
76	83.040001.01	Retainer, Valve Spring	2
77	83.040014.01	Valve Collet	2
78	21.040020.00	Adjusting Nut, Valve	2
79	21.040021.00	Nut, Lock	2
80	83.080200.01	Air Shroud, Cylinder	1
81	23.020001.01	Breather Tube	1
82	83.021101.01	Cover, Cylinder Head	1
83	83.021001.01	Gasket, Cylinder Head Element	1
84	83.021200.01	Element Component, Head Cover	1
85	83.020002.01	Gasket, Cylinder Head Cover	1
86	28.050301.00	Ring, First Piston	1
87	28.050302.00	Ring, Second Piston	1
88	28.050303.00	Ring, Oil	1
89	2.09.002	Circlip, Ø16 x Ø1	2
90	28.050005.00	Piston	1
91	83.050003.01	Wrist Pin	1
92	83.050200.01	Connecting Rod Assembly	1
93	83.040100.01	Camshaft	1
94	83.031000.01	Oil Dipstick Assembly	1
95	83.030035.01	Oil Nipple	1
96	1.818.0306.1	Screw, M3 x 6, Black	2
97	81.132200.00	Stepper Motor	1
98	1.9074.1.0408	Screw/Washer Assembly, M4 x 8	2
99	82.132100.00	Base, Stepper Motor	1
100	1.819.0508	Screw, M5 x 8	1
101	81.130010.00	Spring, Connector	1
102	81.130008.00	Connector, Choke Valve Axis	1
103	83.131000.05	Carburetor	1
104	1.9074.3.0512	Screw/Washer Assembly, M5 x 12	1
105	81.130007.00	Pressure Plate, Choke Control Line	1
106	83.130005.03	Support, Stepper Motor	1
107	1.9074.3.0508	Screw/Washer Assembly, M5 x 8	2
108	83.131017.01	Main Jet, Standard	1
	83.131017.01.01	Main Jet, Altitude	/
109	83.061000.01	Recoil Assembly	1
110	83.091000.01	Air Cleaner Assembly	1
111	83.021000.01	Cylinder Head Cover Assembly	1

73001I-DF (EU) PARTS DIAGRAM



73001I-DF (EU) PARTS LIST

No	Part Number	Description	QTY
1	83.200205.02	Hasp, Maintenance Cover	1
2	2.08.055.1	Bolt, Maintenance Cover, Black	4
3	83.200204.02.2	Maintenance Cover, Battery, Black	1
4	2.08.052.1	Bolt, M6 x 16	10
5	1.9074.4.0516.1	Screw/Washer Assembly, M5 x 16, Black	4
6	83.200201.02.2	Cover, Left, Black	1
7	1.5789.0612	Flange Bolt, M6 x 12	11
8	83.201600.06	Supporter, Left	1
9	1.9074.4.0512.1	Screw/Washer Assembly, M5 x 12, Black	11
10	83.200701.02.2	Handle, Left, Black	1
11	83.200500.01.2	Cover, Top, Black	1
12	83.200502.01	Spillway, Fuel Tank	1
13	83.070100.02	Cap, Fuel Tank	1
14	2.06.016	Clamp, Ø8.7 x b8	3
15	83.070011.01	Fuel Pipe, Fuel Tank To Fuel Valve	1
16	2.06.018	Clamp, Ø10.5 x b8	1
17	111.070300.01	Fuel Filter, Fuel Pipe	1
18	2.08.068.2	Flange Bolt, M5 x 13	6
19	83.071000.02	Fuel Tank	1
20	83.070300.01	Fuel Filter, Fuel Tank	1
21	1.845.4213	Screw, ST4.2 x 13	6
22	83.081400.01	Muffler Protector Assembly, Upper	1
23	83.081004.01	Plate	1
24	2.02.001	Nut M6, Long	2
25	28.100001.00	Gasket, Exhaust	1
26	83.101100.01	Muffler Assembly	1
27	46.101300.08	Spark Arrester Assembly	1
28	46.101503.08	Plate, Spark Arrester	1
29	1.9074.4.0514	Screw/Washer Assembly, M5 x 14	2
30	1.97.1.06	Washer, Ø6	1
31	1.93.06	Lock Washer, Ø6	4
32	1.5789.0615	Flange Bolt, M6 x 15	10
33	1.5789.0620	Flange Bolt, M6 x 20	6
34	1.845.4816	Screw, ST4.8 x 16	6
35	1.845.4219	Screw, ST4.2 x 19	1
36	83.081500.01	Muffler Protector Assembly, Lower	1
37	83.200402.01.2	Protector, Rear Cover, Black	1
38	83.200401.01.2	Supporter, Rear Cover, Black	1
39	2.02.014	Nut M6, Square	12
40	2.02.010	Cage Nut, M5	8
41	83.200701.03.2	Handle, Left, Black	1
42	83.200704.01.2	Bracket, Left, Black	1
43	83.201600.05	Supporter, Right	1
44	1.6187.1.08	Lock Nut M8, Flange	2
45	2.13.001	Bushing, Ø13.3 x Ø19.3 x 8	2
46	1.5789.0612.1	Flange Bolt, M6 x 12, Black	4
47	83.200704.02.2	Bracket, Right, Black	1
48	2.03.001	Bushing, Ø13.3 x Ø19.3 x 2	2
49	2.03.002	Washer, Ø13 x Ø20 x 2.5	2
50	2.08.002	Bolt, M8 x 28	2
51	83.200701.04.2	Handle, Right, Black	1
52	2.02.002	Nut M6, T-Style	2
53	83.200705.01.2	Handle, Upper, Black	1
54	83.200705.02.2	Handle, Lower, Black	1
55	1.9074.3.0512.1	Screw/Washer Assembly, M5 x 12, Black	3
56	1.5789.0635.1	Flange Bolt, M6 x 35, Black	2
57	83.190006.01	Rubber Sleeve, End Cover	1
58	83.190003.01	End Cover, Generator	1
59	83.190001.01	Fan, Generator	1
60	2.02.006	Flange Nut, M14 x 1.5	1
61	83.191100.01	Rotor Assembly	1
62	1.5789.0645	Flange Bolt, M6 x 45	4
63	83.191200.15	Stator Assembly	1
64	83.190002.01	End Cover, Mortor	1
65	28.691	Engine	1
66	1.6177.1.08	Lock Nut M8, Flange	12
67	83.201600.02	Supporter, Left	1
68	83.201600.01	Supporter, Right	1
69	83.201200.01	Motor Mount	4
70	83.200607.01	Plug, Oil Drain Hole	1
71	1.6182.06	Lock Nut M6	6
72	83.200601.01	Base Setting Component	1
73	83.200609.02	Steel Plate 2	2
74	83.200609.01	Steel Plate 1	2
75	83.201400.01	Rubber Pad	2
76	83.201702.01	Plug, Wheel	2
77	1.894.1.12	Retaining Ring, Ø12	2
78	1.848.12	Washer, Ø12	2
79	83.201701.02	5.5 in. Wheel, Right	1
80	83.201500.01	Axle	1

No	Part Number	Description	QTY
81	83.201701.01	5.5 in. Wheel, Left	1
82	83.200305.01	Spring Patch	5
83	83.200304.01	Rubber Seal, Muffler Cover	1
84	1.845.3595	Screw, ST3.5 x 9.5	8
85	83.200303.01.2	Muffler Cover, Black	1
86	83.200701.01.2	Handle, Right, Black	1
87	83.200302.01.2	Cover, Right Side, Black	1
88	2.08.075.1	Bolt, M6 x 20, Black	2
89	5.1320.023	Plastic Corrugated Pipe, Ø6.8 x Ø10 x 530	1
90	5.1900.019	Red Wire, Battery, 600 mm	1
91	83.200018.01	Holder, Control Unit and Battery	1
92	152.200013.01	Sheath, Rubber	1
93	83.221000.94	Control Unit, 3.1KW, 240V/50Hz, Parallel	1
94	1.16674.0516	Flange Bolt, M5 x 16	1
95	81.220001.00	Protector, Control Unit	2
96	122.200013.01	Sheath, Rubber	2
97	83.200908.01	Fixation Bar, Sponge	1
98	122.200904.00	Pinch, Rubber	1
99	9.1000.070	Battery, 149.5 x 85 x 94, 7AH	1
100	5.1900.060	Black Wire, Battery, 600 mm	1
101	5.1320.022	Plastic Corrugated Pipe, Ø6.8 x Ø10 x 450	1
102	1.16674.0512	Flange Bolt, M5 x 12	1
103	5.1800.003	Rectifier	1
104	83.130200.01	Pull Choke Assembly	1
105	1.823.0410	Screw, M4 x 10	1
106	87.070001.01	Knob, Fuel Valve	1
107	87.070021.01	Quick Coupler	1
108	1.823.0408	Screw, M4 x 8	2
109	83.061200.01.2	Guide Plate, Rope, Black	1
110	83.200106.01	Protector, Front Cover	1
111	83.070400.01	Fuel Valve	1
112	1.97.1.05	Washer, Ø5	2
113	1.845.4819	Screw, ST4.8 x 19	2
114	83.070011.02	Fuel Pipe, Fuel Valve To Carburetor	1
115	2.06.023	Clip, Ø20	2
116	87.070012.01	Pipe, 280mm	1
117	87.200101.01.2	Front Cover, Dual Fuel, Black	1
118	73001I-DF.21	Control Panel Assembly	1
119	83.019.44.45	Control Panel, Yellow	1
120	83.210001.00.1	Connect Port, 125V/25A, Black	2
121	5.1120.011	Receptacle	1
122	1.819.0414	Screw M4 x 14	8
123	1.6177.1.04.1	Lock Nut M4, Flange, Black	10
124	5.1200.215	A.C 15A Breaker, Push Button	2
125	5.1000.000.3	Switch, Battery, Red	1
126	5.1430.002	Intelligauge	1
127	1.9074.4.0414.1	Screw M4 x 14, Black	2
128	73001I-DF.21.10	Wire Assembly	1
129	122.210003.01	Grommet	1
130	1.9074.4.0512	Screw/Washer Assembly, M5 x 12	1
131	87.210002.01	Control Box	1
132	1.9074.1.0535	Screw/Washer Assembly, M5 x 35	1
133	1.823.0325	Screw, M3 x 25	2
134	5.1050.000	Switch	1
135	1.6170.03	Nut M3	2
136	83.210016.00	Speed Limiter	1
137	1.818.0514.3	Screw, M5 x 14, Green	2
138	5.1000.001	Ignition Switch, Red	1
139	5.1010.003.1	Switch, Economy, Black	1
140	5.1110.006	Receptacle, Battery Charger	1
141	1.845.3516	Screw, ST3.5 x 16	3
142	1.97.1.04	Washer, Ø4	2
143	5.1840.002	Case, Power Supply	1
144	5.1820.001	Charger	1
145	5.1800.004	Rectifier	1
146	1.5783.0520.3	Bolt, M5 x 20, Green	1
147	1.862.05	Lock Washer, Ø5, Toothed	1
148	1.6170.05.3	Nut M5, Green	2
149	1.93.05.3	Lock Washer, Ø5, Green	2
150	1.97.1.05.3	Washer, Ø5, Green	2
151	5.1200.308	8Amp Circuit Breaker, Push Button	1
152	5.1110.005	Receptacle, DC.12V	1
153	5.1910.001	Special Receptacle	1
154	1.818.0210.3	Screw M2 x 10, Green	4
155	1.93.02.3	Spring Washer Ø2, Green	4
156	1.97.1.02.3	Washer Ø2, Green	4
157	1.6170.02.3	Nut M2, Green	4
158	87.130000.93	LPG Hose With Regulator	1
159	9.1700.003	Plug, USB 5V/2.1A	1
160	9.1700.006	Smart Charger, 12V	1
161	9.1600.012	Cables, 12V, 2m	1

Page intentionally left blank.

Page intentionally left blank.

CHAMPION
GLOBAL POWER EQUIPMENT TM-MC